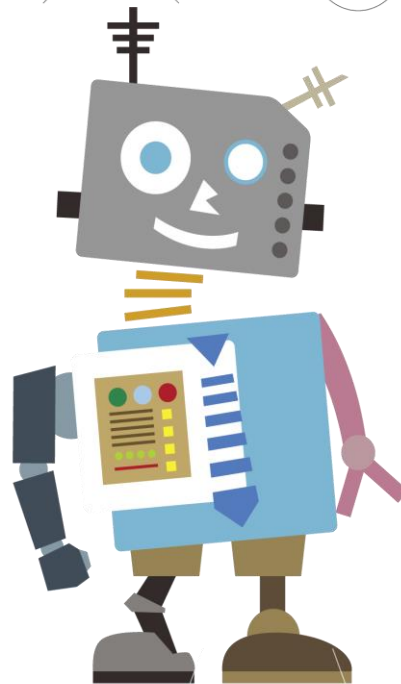


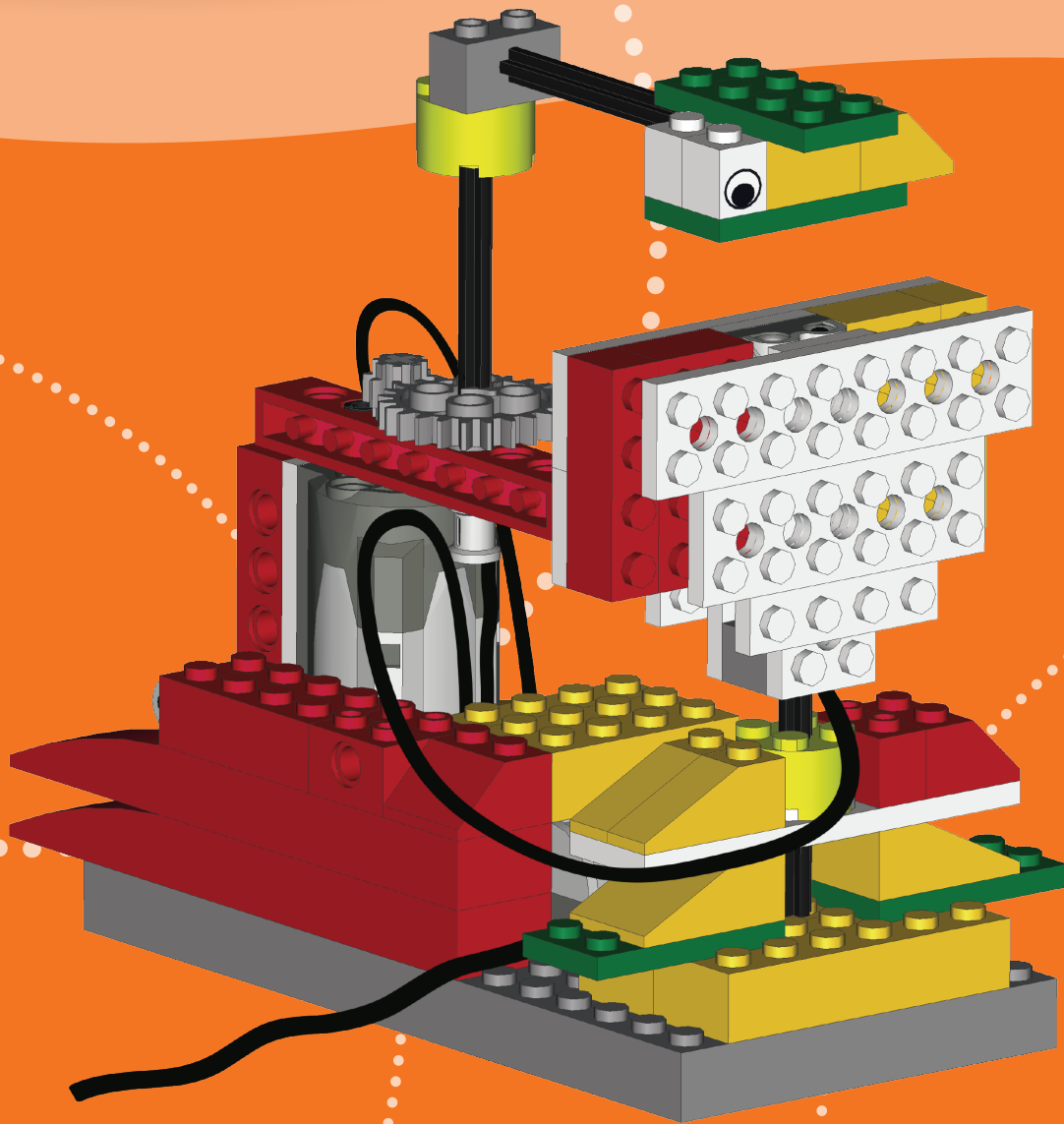
## Robótica Educativa: Ensamble Flor

Crecimiento de las Plantas | 4to grado de primaria | Ciencias de la naturaleza

ROBÓTICA EDUCATIVA



# Flor

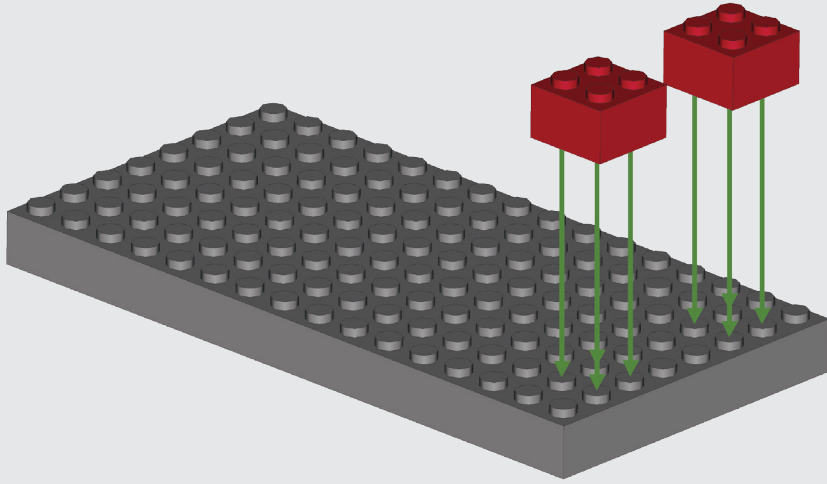
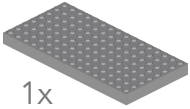


1

2x

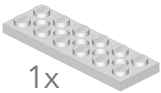


1x



2

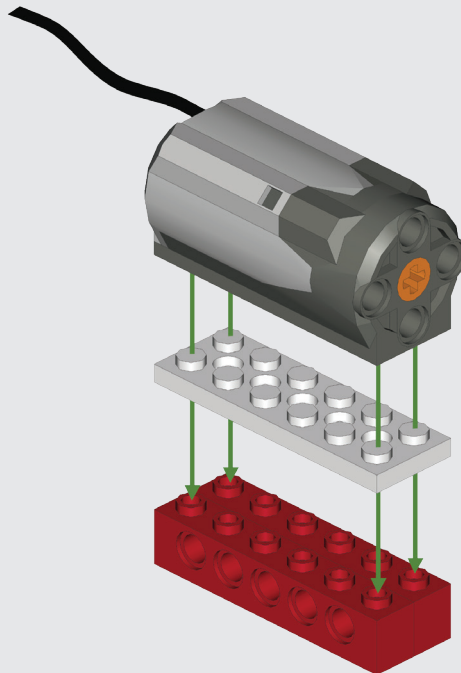
1x



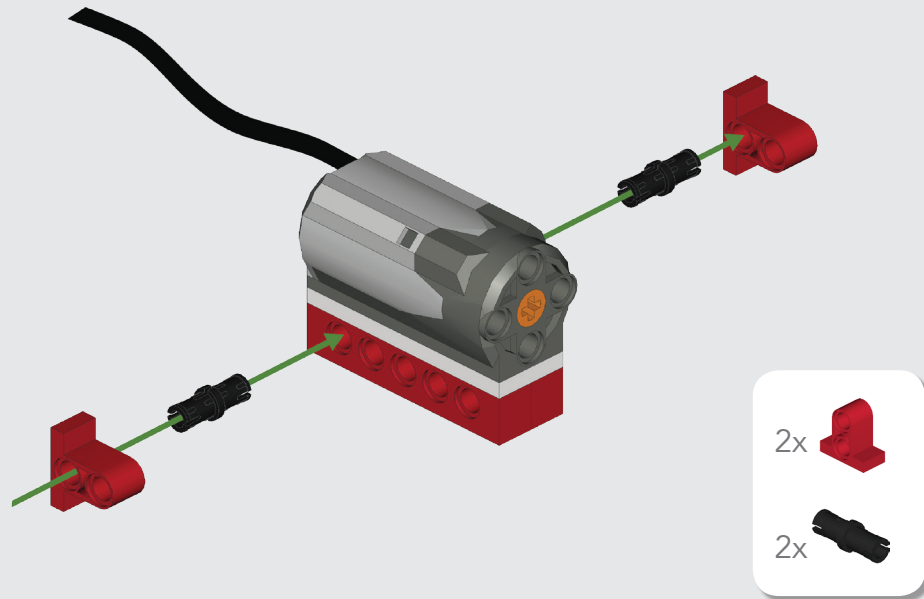
2x



1x

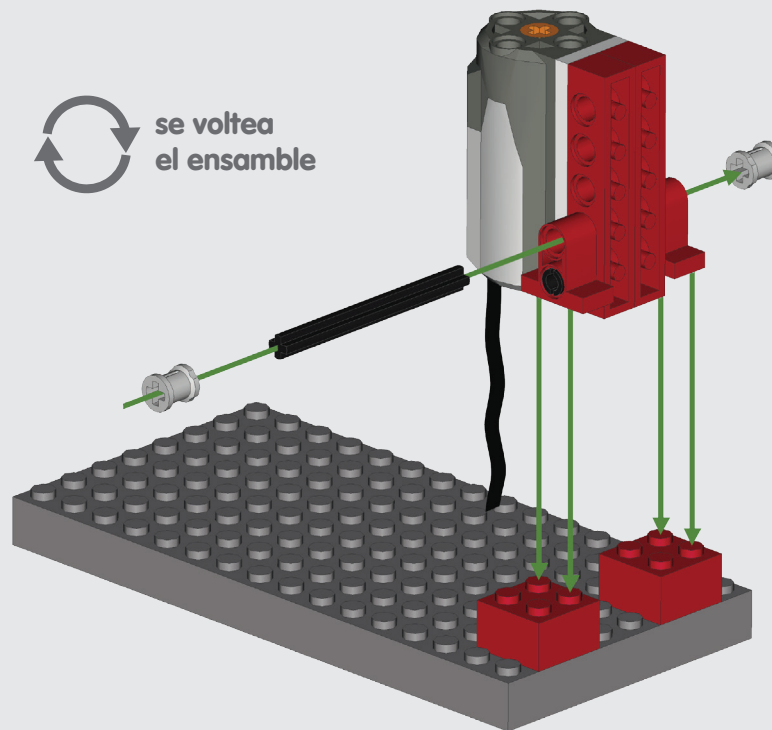
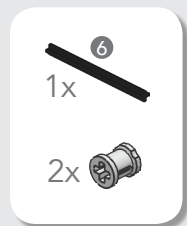


3



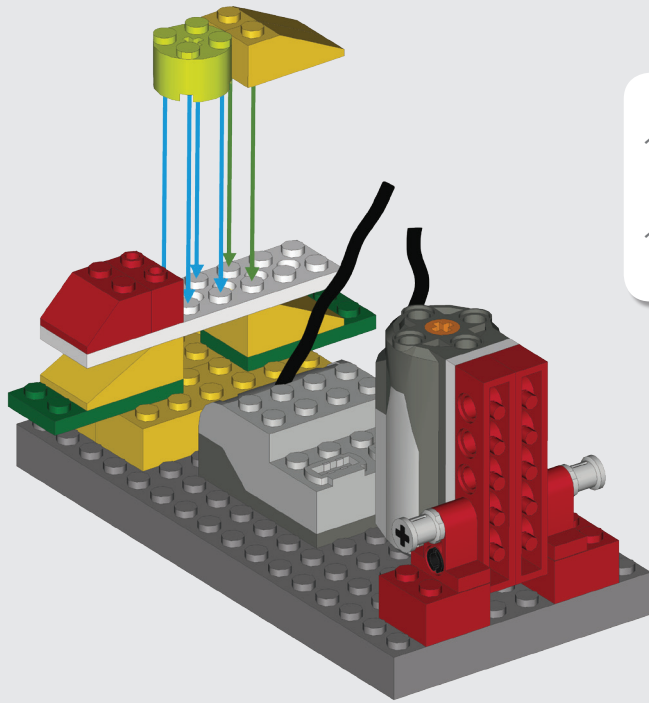
4

se voltea el ensamble





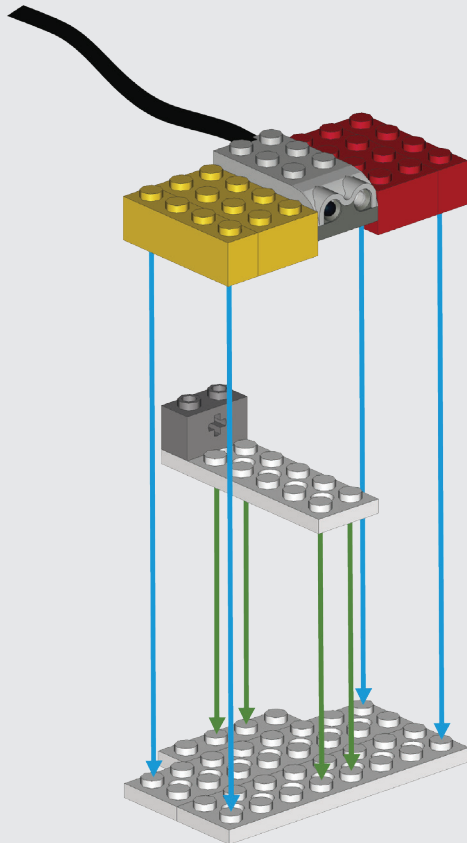
7



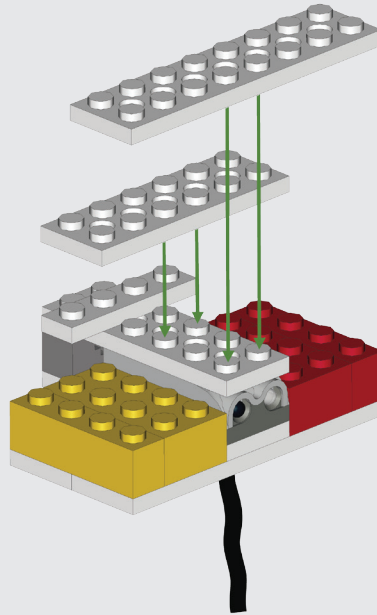
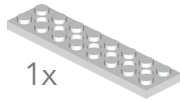
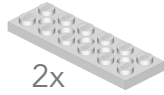
- 1x Yellow 1x3 brick with hole
- 1x Yellow 1x3 brick with hole
- 1x Red 1x3 brick
- 1x Red 1x3 brick

8

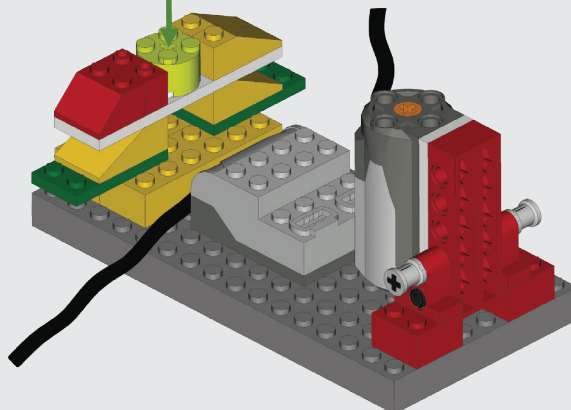
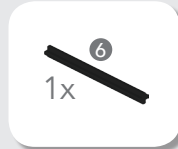
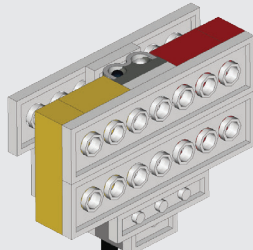
- 2x Grey 1x10 Technic plate
- 1x Grey 1x2 Technic brick with hole
- 1x Yellow 1x3 Technic brick with hole
- 1x Yellow 1x3 Technic brick with hole (6)
- 1x Red 1x3 Technic brick with hole
- 1x Red 1x3 Technic brick with hole (6)
- 1x Grey 1x3 Technic brick with hole
- 1x Grey 1x3 Technic brick with hole
- 1x Grey 1x10 Technic plate



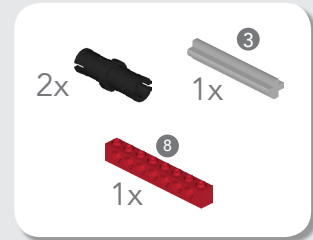
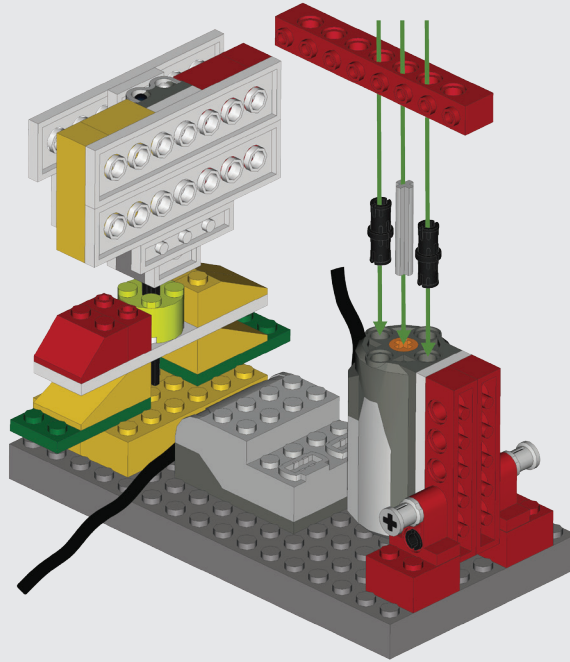
9



10

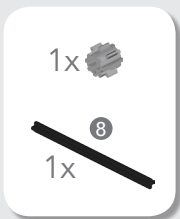
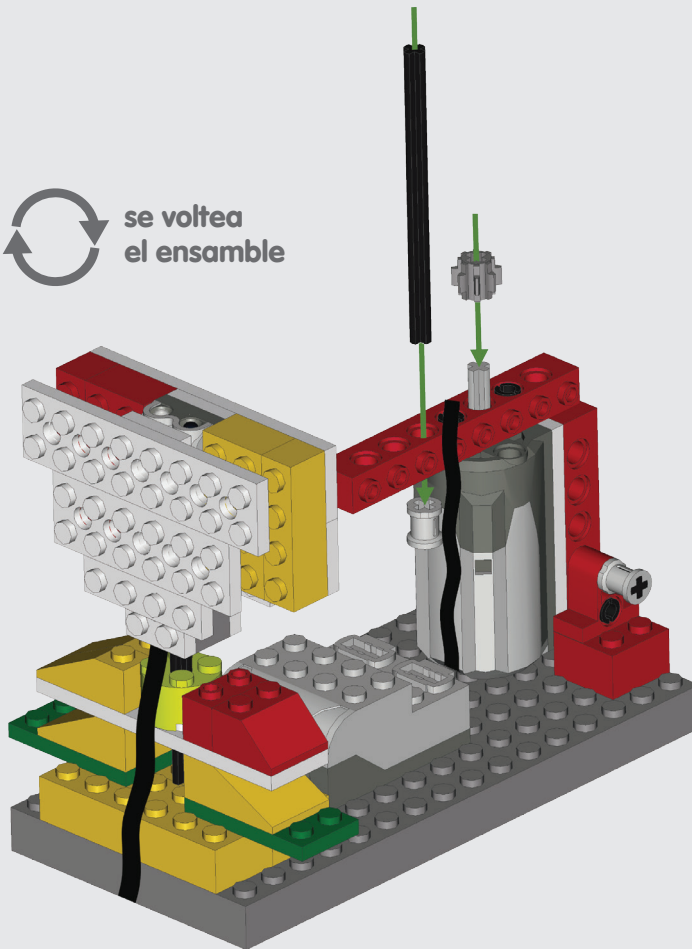


11



12

 se voltea el ensamble



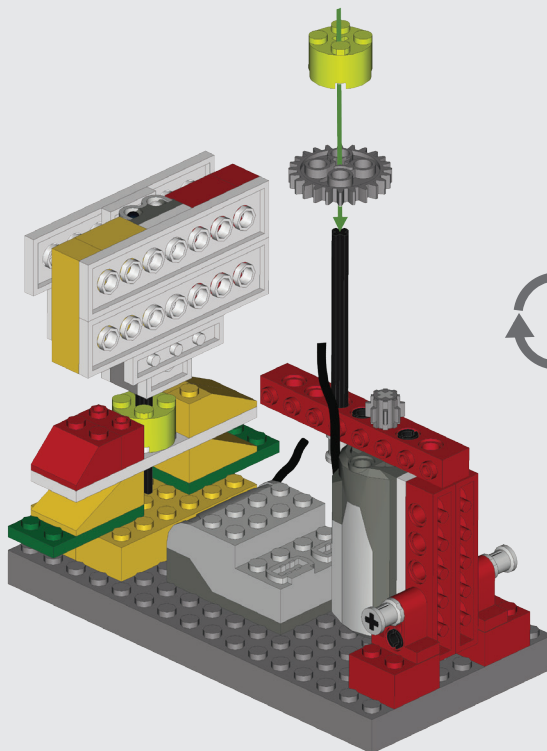


# 13

1x 

1x 

1x 

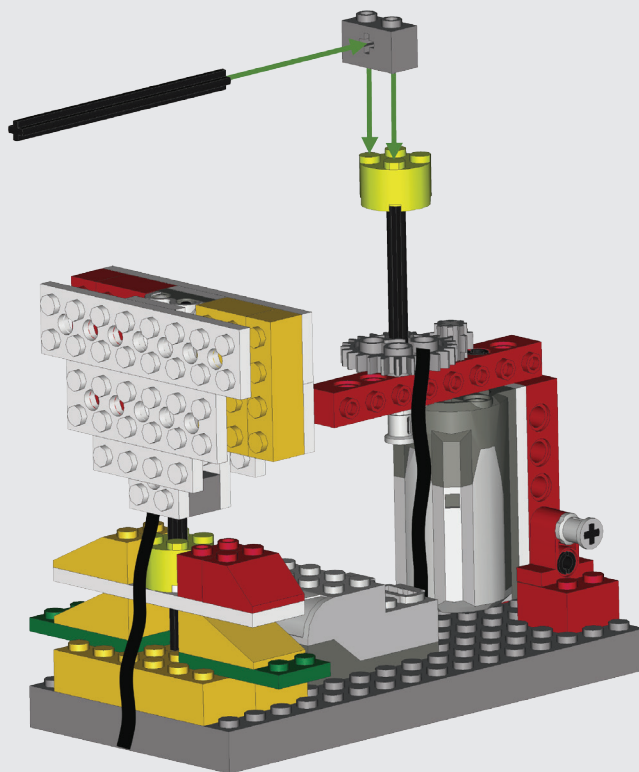


se voltea  
el ensamble

# 14



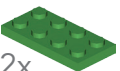
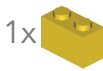

1x 

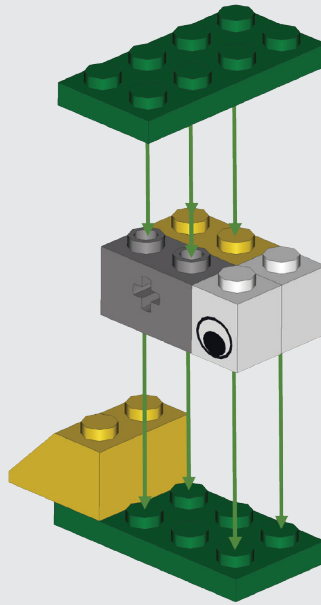
1x 



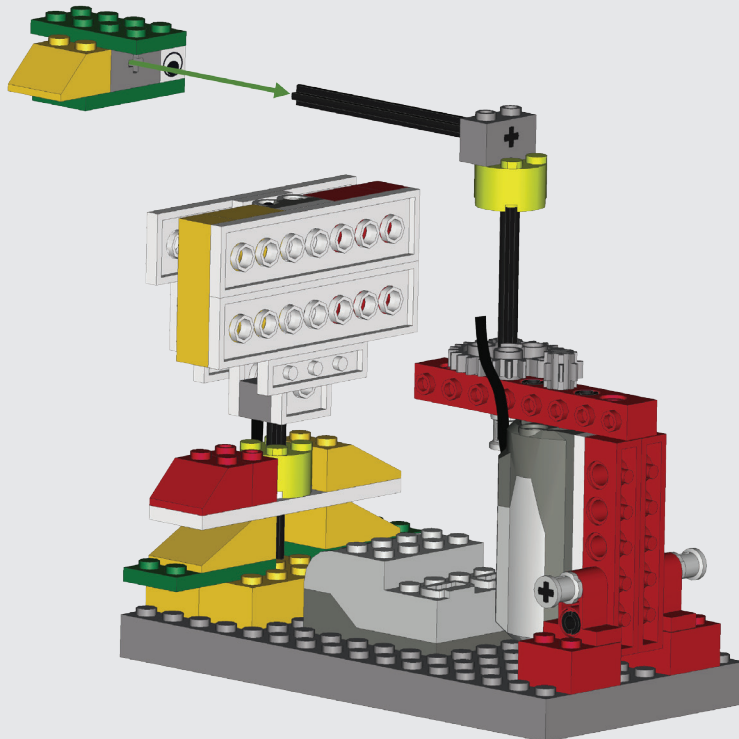
se voltea  
el ensamble

15

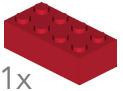
- 2x 
- 1x 
- 2x 
- 1x 
- 1x 



16



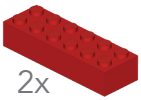
17



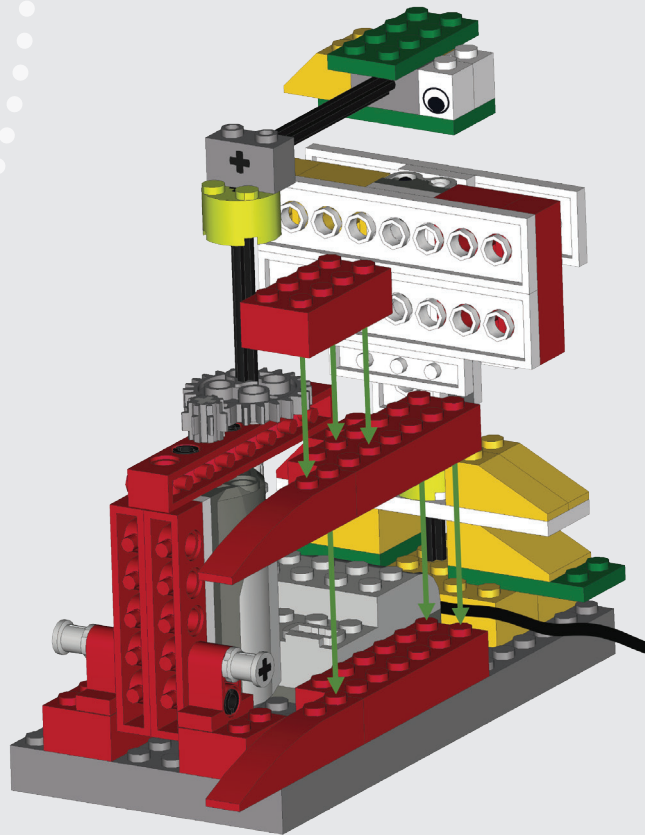
1x



2x



2x



se voltea  
el ensamble

18



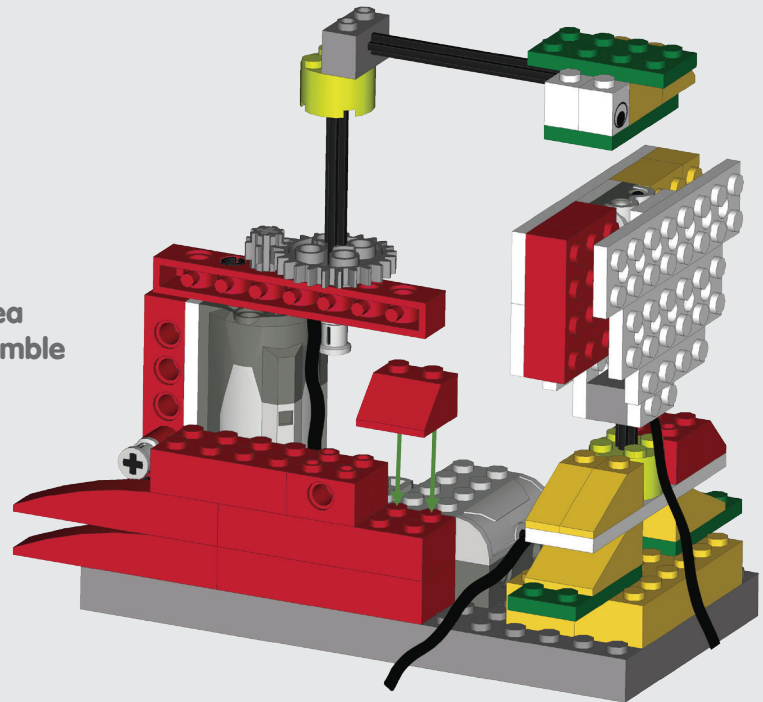
2x



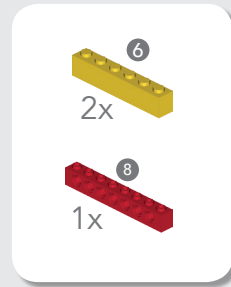
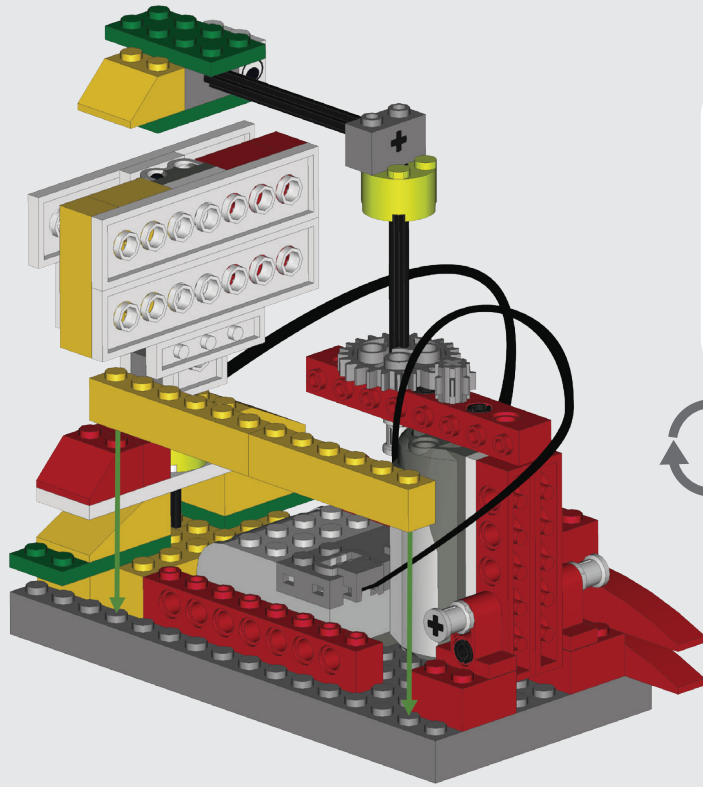
1x



se voltea  
el ensamble

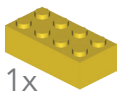
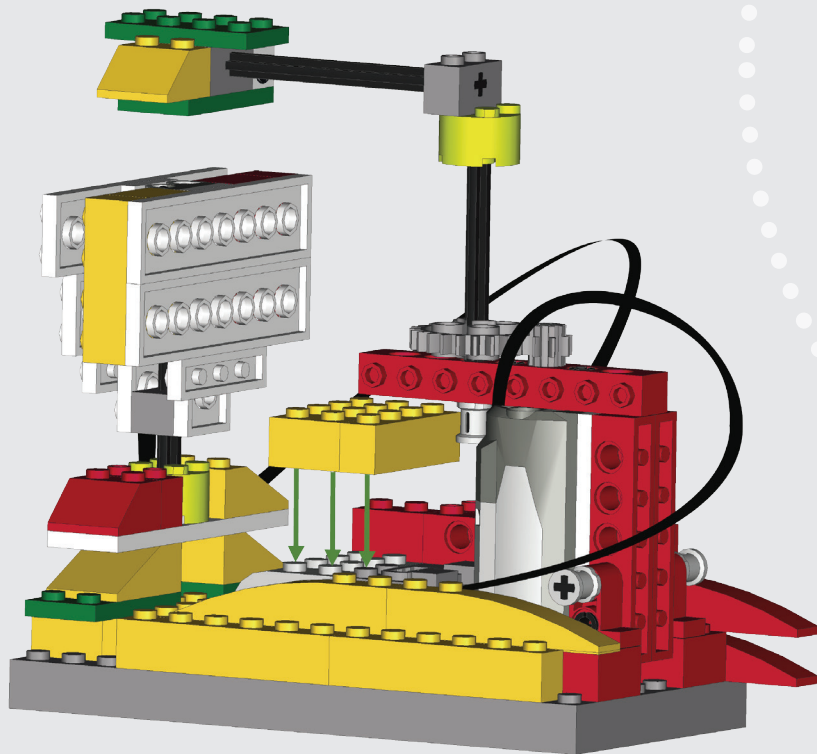


19



se voltea  
el ensamble

20



# Resultado final

